

IET Toronto Local Network Event

Technical presentation on:

Transformer Design and Design Parameters

**Speaker: Ronnie Minhaz, P.Eng.,
President Transformer Consulting Services Inc.**

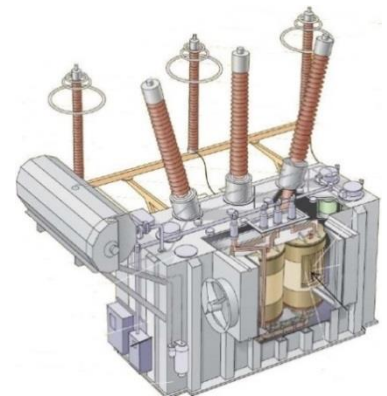
Date: 14th October 2015

Time: Arrive at 18:30, presentations starts at 18:45 for approx. 1 hour

Abstract:

The presentation will be on the Basics of Transformer Design and will explain how a transformer designer interprets parameters such as MVA, lightning impulse, switching impulse, percentage impedance as supplied by a customer. It will touch on power rating (MVA), core, rated voltages, insulation coordination, short-circuit impedance, short-circuit forces, loss evaluation, temperature limits, cooling, sound level etc.

The presentation will also explain overload and life expectancy of a transformer as well when Delta winding is needed in Wye-Wye connection. The presentation will answer why in North America we like to regulate from the low voltage side whereas in Europe regulation is from the high voltage side.



The Speaker

Ronnie Minhaz, P.Eng.:

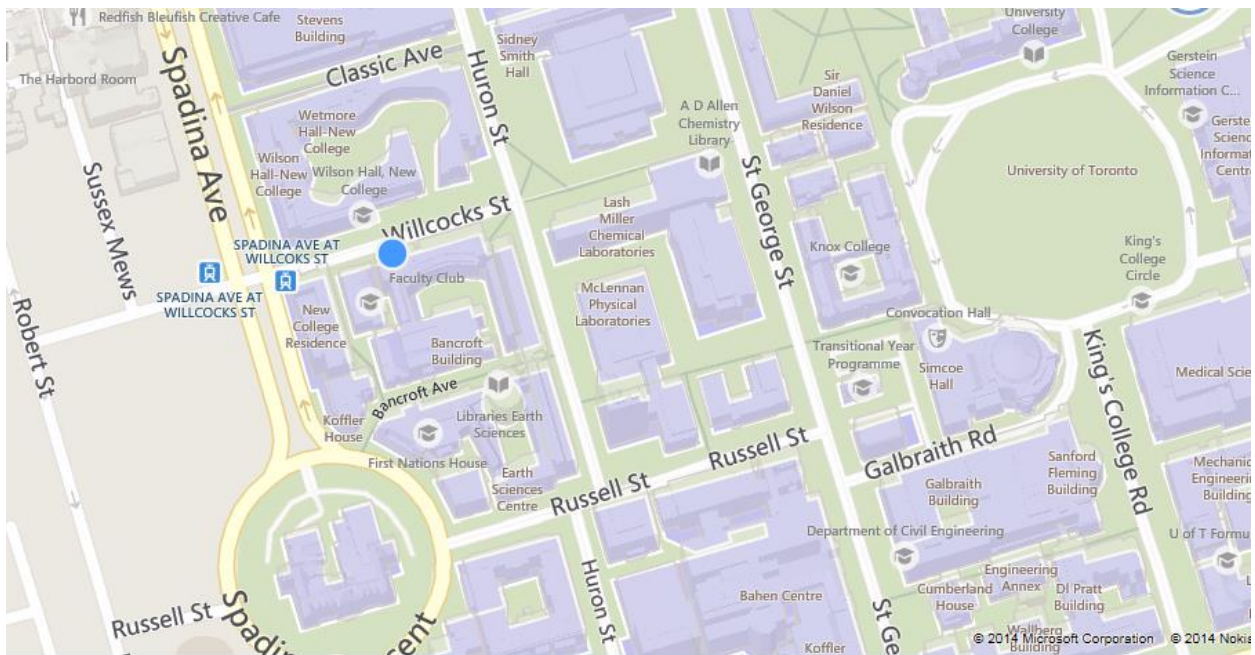
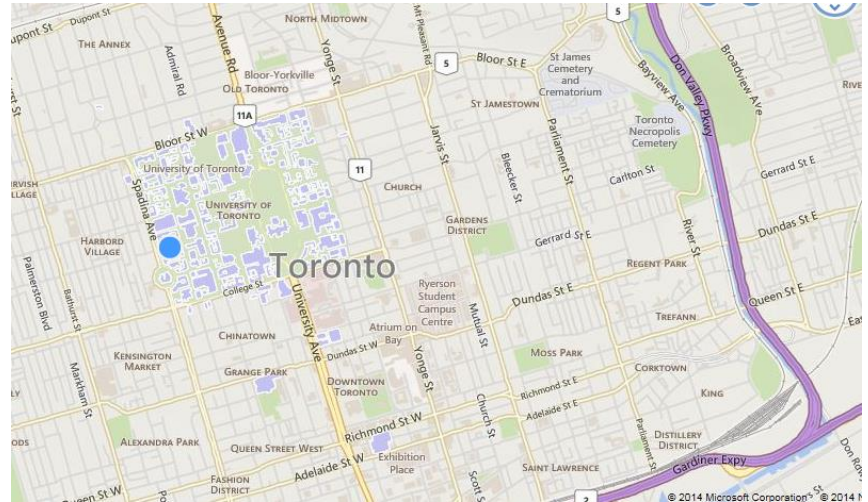
Ronnie holds B.Sc. degree in Electrical Engineering from University of Manitoba, Canada. Before founding his own company "Transformer Consulting Services Inc. (www.tc-servicesinc.com)", Ronnie worked as Transformer Designer at Pauwels Canada (Manufacturer), as Equipment Engineer at SNC Lava Lin (EPCM) and Enmax Power(Utility), as Substation Lead Engineer at McGregor Construction (Substation Construction).



Ronnie is a registered professional engineer in the province of Alberta, Canada and an IEEE member. Ronnie held various leadership positions at IEEE Section level and a regular member of IEEE PES society.

The Venue

Upper Dining Room
Faculty Club
University of Toronto
St. George Campus
41 Willcocks Street
Toronto, Ontario
M5S 1C7
Canada



Attendance

Attendance is free, but please confirm in advance via email to Prof. Nigel Schofield at: nigels@mcmaster.ca