

IEEE Houston Power & Energy Society Technical Meeting:

Transformer Design & Manufacturing

Date:

Thursday, April 16 2015

Time:

Dinner - 5:30PM

Presentation – 6:00 PM
to 9:00PM

Location:

Burns & McDonnell

1700 West Loop South

10th Floor

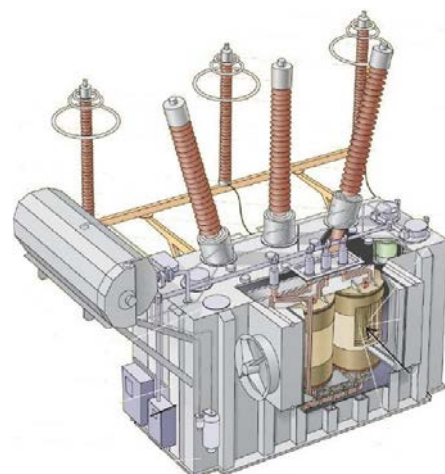
Houston, TX 77027

713-622-0227

To reserve your seat,
please RSVP to
Anthony Astwood at
aastwood@burnsmcd.com

Guest Speaker: Mr. Ronnie Minhaz, P.Eng.
President, Transformer Consulting Services
Inc

- Cost: \$15 per person at the door. Covers dinner and certificate for 3.0 PDH.
- Payment method: Cash (Exact change appreciated), Money Order, Check- Please make check/money order payable to 'IEEE Houston Section'
- Please RSVP by Monday, April 13th, 2015



Speaker Biography: Ronnie Minhaz, Peng

Ronnie holds B.Sc. degree in Electrical Engineering from University of Manitoba, Canada. Before founding his own company “Transformer Consulting Services Inc(www.tc-servicesinc.com)”, Ronnie worked as Transformer Designer at Pauwels Canada(Manufacturer), as Equipment Engineer at SNC Lava Lin(EPCM) and Enmax Power(Utility), as Substation Lead Engineer at McGregor Construction(Substation Construction). Ronnie is a registered professional engineer in the province of Alberta, Canada and an IEEE member. Ronnie held various leadership positions at IEEE Section level and a regular member of IEEE PES society.

