

IET Toronto Local Network
IEEE Hamilton Section – Power Chapter

Technical presentation on:

Transformer Manufacturing Processes

Speaker: Ronnie Minhaz, P.Eng., President Transformer Consulting Services Inc.

Supported by the IET Toronto Local Network and IEEE Hamilton Section

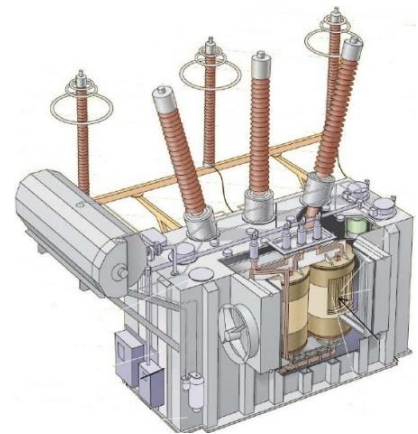
Date: 15th October 2015

Time: Arrive at 18:30, presentations starts at 18:45 for approx. 1 hour

Abstract:

The presentation will be on the industry wide manufacturing process to build a transformer in the shop floor. Processes will cover core construction, insulation, windings, core and coil, processing, tanking, testing and shipping.

Some of the hold-points during the processes will be explained as well what a customer should look into while doing factory inspection. The presentation will also cover reconnection both in LV and HV, LTC tap changer both in tank and separate tank, lead works.



The Speaker

Ronnie Minhaz, P.Eng.:

Ronnie holds B.Sc. degree in Electrical Engineering from University of Manitoba, Canada. Before founding his own company "Transformer Consulting Services Inc. (www.tc-servicesinc.com)", Ronnie worked as Transformer Designer at Pauwels Canada (Manufacturer), as Equipment Engineer at SNC Lava Lin (EPCM) and Enmax Power(Utility), as Substation Lead Engineer at McGregor Construction (Substation Construction).



Ronnie is a registered professional engineer in the province of Alberta, Canada and an IEEE member. Ronnie held various leadership positions at IEEE Section level and a regular member of IEEE PES society.

The Venue

Room: **MARC – 266**

McMaster Automotive Resource Centre (MARC)
200 Longwood Road South,
Hamilton, Ontario, Canada, L8P 0A6

<https://mcmasterinnovationpark.ca/mcmaster-university-automotive-resource-centre>

McMaster Automotive Resource Centre (MARC)



Attendance

Attendance is free, but please confirm in advance via email to Prof. Nigel Schofield at: nigels@mcmaster.ca